



WOODCONCEPT®
— CABINETS —

QUALITY | VALUE | SERVICES

Product Catalog · 2024 · v1.0



Product Catalog · 2024 · v1.0

www.woodconcept.com

Table of Contents

About Us	4
Contact Us	6
Cabinets Specifications	7
Cabinet Series	9
Product Catalog	16
Cabinet Care & Maintenance	44

WOODCONCEPT CABINETRY



About Us

Welcome to WoodConcept Cabinetry! We are a leading distributor/wholesaler of premium manufacturer-direct cabinets, committed to providing exceptional quality at competitive prices.

At WoodConcept Cabinetry, we understand the importance of having beautiful and functional cabinets for a home, which is why we offer an extensive range of options to suit every taste and budget.

We also take pride in our exceptional customer service, as we are dedicated to making your dream home a reality.

Thank you for considering WoodConcept Cabinetry!



About Us



ANSI/KCMA A161.1

A161.1 Quality Certification

Our cabinets undergo extensive testing to achieve the KCMA A161.1 Quality Certification Seal, proving that they are worth choosing for every home.

WoodConcept Cabinetry is a certified member of National Kitchen & Bath Association (NKBA), committed to provide premium cabinets to all.



**SHERWIN
WILLIAMS**

We apply Sherwin Williams high-quality coating to our cabinets for easier application, greater durability and better color retention.

Safeguarding the environment is a top priority for us - our products are CARB 2 compliant to ensure that they meet applicable environmental standards.



2020

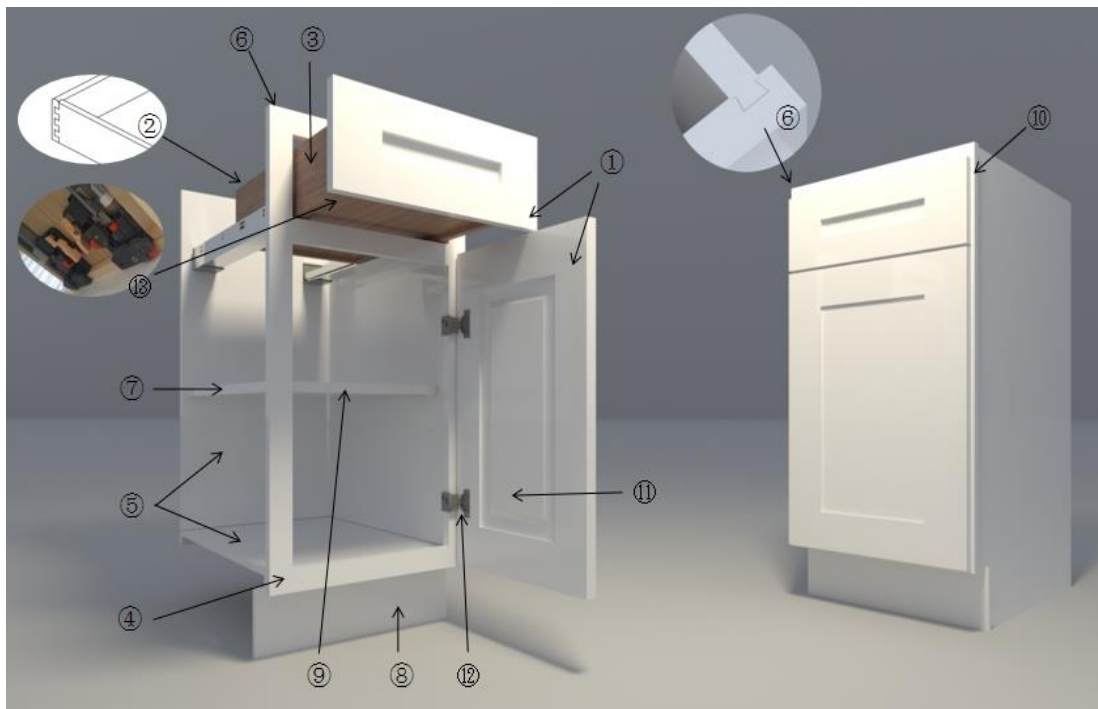
We also partner with 2020 Design, to allow customers to easily design, plan and visualize kitchens and baths using our products.

Contact Us

Contact Information

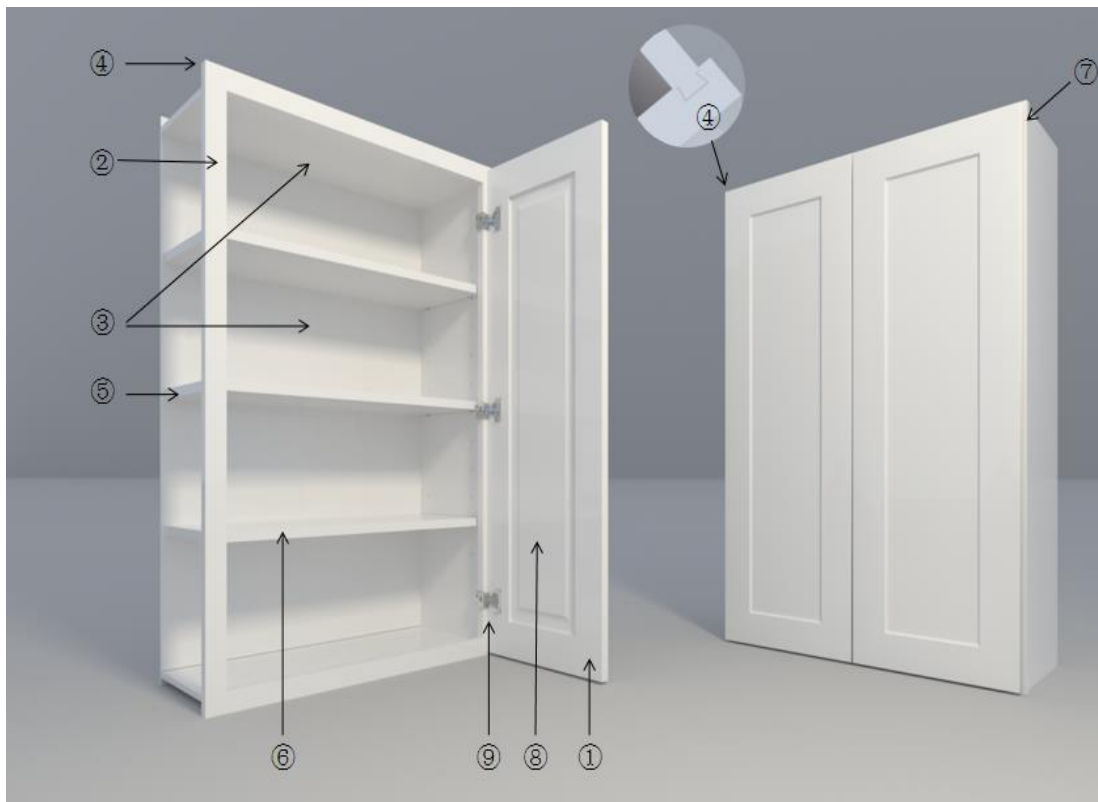
Phone	(732) 865-9118
Email	contact@woodconcept.com
Address	1880 NJ-35, Sayreville, NJ 08879
Hours	Monday – Friday 8:30am -5:30pm

Specification – Base Cabinet



Parts	#	Specifications
Door	①	Solid Wood door and drawer with mortise and tenon joint
	⑩	Full overlay doors and drawers
	⑪	3/8" thick Reversed MDF center panel
Drawer	②	5/8" solid wood dovetail drawer with a 3/8" plywood bottom natural finished
	③	3 3/4" interior drawer height
Frame	④	3/4" x 1 1/2" solid wood face frame
Back	⑤	1/2" veneered plywood back with a matching finished interior
Side Panel	⑥	1/2" matching finished plywood side panels dovetailed into face frame
Shelf	⑦	3/4" veneered plywood adjustable shelving with matching interior veneer edge banding
	⑨	Base cabinet has 20 3/4" deep shelf
Toe Kick	⑧	3/4" x 4 1/2" matching finished plywood toe kick attached to cabinet
Hinge	⑫	Six-way soft close adjustable hinges open at 110 degrees
Glide	⑬	Six-way soft close adjustable front locking drawer glides

Specification – Wall Cabinet

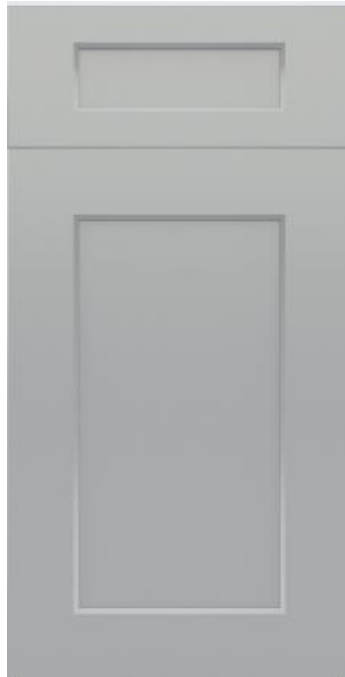


Parts	#	Specifications
Door	①	Solid Wood door with mortise and tenon joint
	⑦	Full overlay doors and drawers
	⑧	3/8" thick Reversed MDF center panel
Frame	②	¾" x 1½" solid wood face frame
Back	③	½" veneered plywood back with a matching finished interior
Side Panel	④	½" matching finished plywood side panels dovetailed into face frame
Shelf	⑤	¾" veneered plywood adjustable shelving with matching interior veneer edge banding
	⑥	Wall cabinet has 10" deep shelf
Hinge	⑨	Six-way soft close adjustable hinges open at 110 degrees

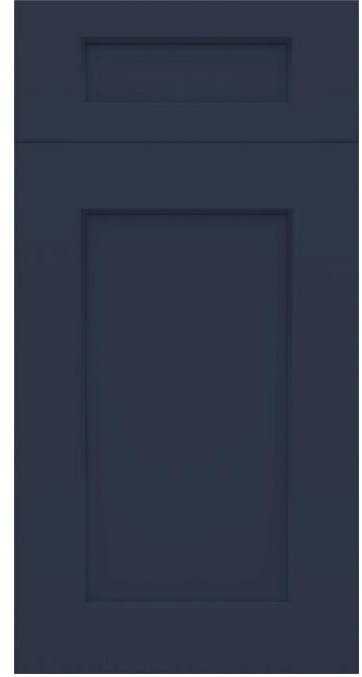
Cabinets Series



Element | Glacier (EG)



Element | Ash (EA)



Element | Ocean (EO)



Profile | Glacier (PG)

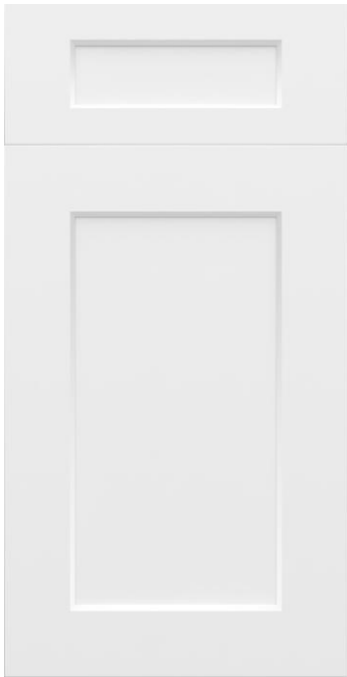


Profile | Caviar (PC)



Profile | Maple (PM)

Cabinets Series



Element | Glacier (EG)

Discover the charm of our Element Glacier cabinets, a fusion of classic elegance and modern refinement. With their clean lines, shaker panel doors, and pristine white finish, these cabinets effortlessly elevate any space, creating a timeless and inviting atmosphere.



Cabinets Series

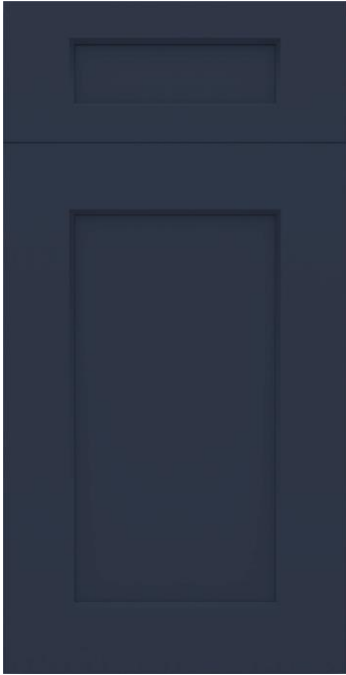


Element | Ash (EA)

Transform your space with our Element Ash cabinets, an epitome of contemporary elegance. The muted grey tone brings a sense of calm and serenity, while the Shaker design offers a perfect balance between simplicity and character.



Cabinets Series



Element | Ocean (EO)

Elevate your space with our captivating Element Ocean cabinets, where bold poise meets timeless design. The deep blue hue adds a touch of drama and richness, while the classic Shaker elements exude a sense of elegance.



Cabinets Series



Introducing our Profile Glacier cabinets, a modern take on a timeless favorite which is designed to make a statement in any room. The crisp white finish adds a touch of freshness and brightness, creating an open and inviting atmosphere.

Profile | Glacier (PG)



Cabinets Series



Profile | Caviar (PC)

Transform your home with the sleek beauty of our Profile Caviar cabinets. The deep black color exudes a sense of luxury and adds a touch of contemporary flair to any room. With their impeccable craftsmanship and classic Slim Shaker design, they offer great balance between style & functionality.



Cabinets Series

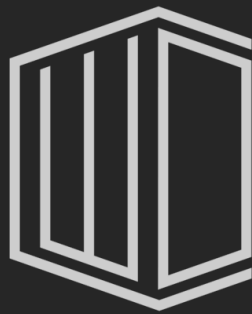


Unveil the minimalistic elegance of Profile Maple, where sleek shaker lines and warm natural radiance converge. This collection brings a touch of nature's tranquility into your home, blending modern aesthetics with a serene maple tone.

Profile | Maple (PM)



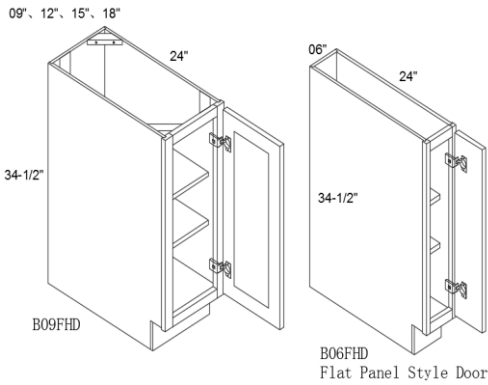
BASE CABINETS



WOODCONCEPT

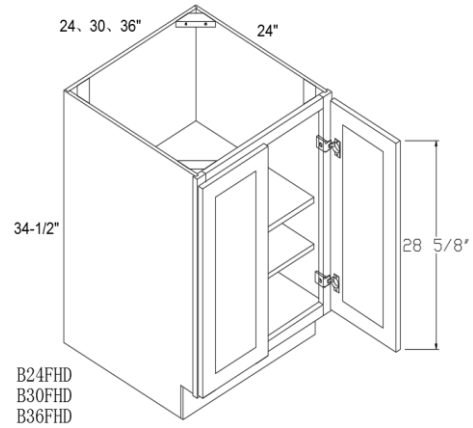
— CABINETSRY —

BASE CABINET FULL HEIGHT DOOR



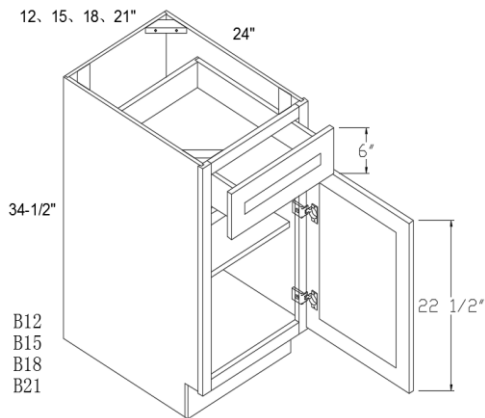
Item #
 B06FHD
 B09FHD
 B12FHD
 B15FHD
 B18FHD

BASE CABINET FULL HEIGHT DOOR



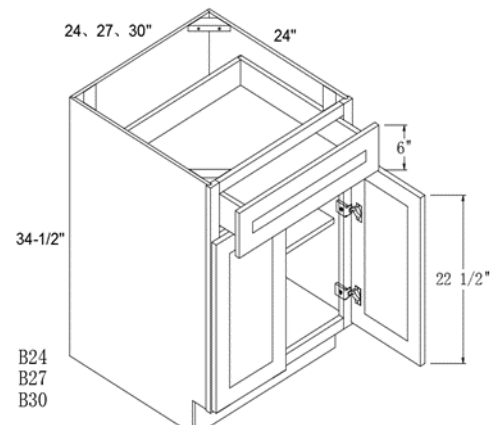
Item #
 B24FHD
 B30FHD
 B36FHD

BASE CABINET ONE DOOR ONE DRAWER



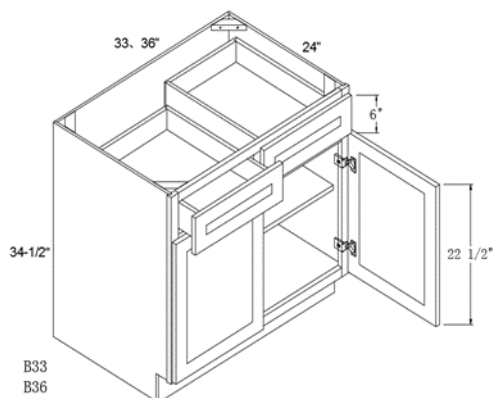
Item #
 B12
 B15
 B18
 B21

BASE CABINET TWO DOORS ONE DRAWER



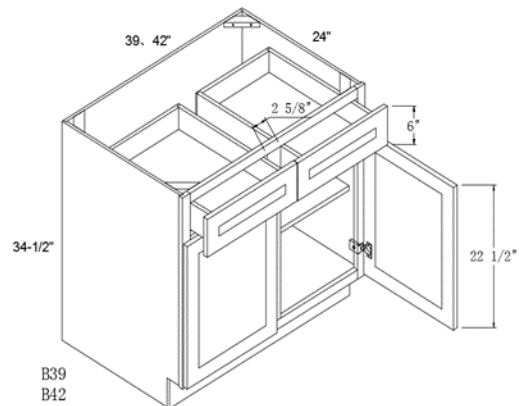
Item #
 B24
 B27
 B30

BASE CABINET TWO DOORS TWO DRAWERS



Item #
 B33
 B36

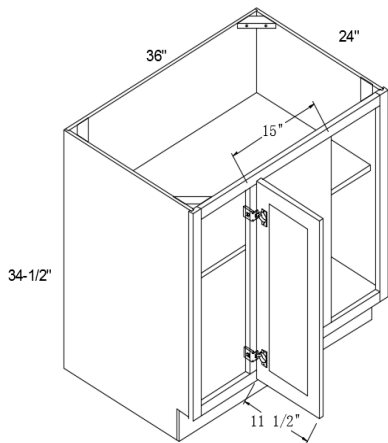
BASE CABINET TWO DOORS TWO DRAWERS



Items #
 B39
 B42

Has 2 5/8" center stile

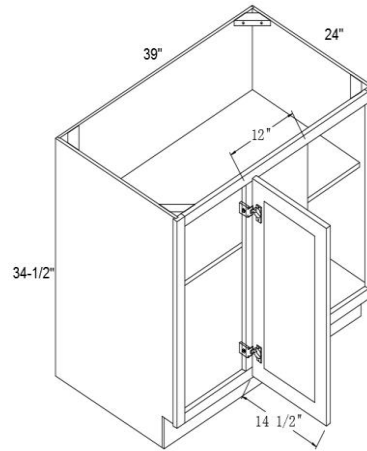
BASE BLIND CORNER CABINET WITH FULL HEIGHT DOOR



Item #
BBC39

BBC39 Min. Pull out 3", Max Pull out 9"

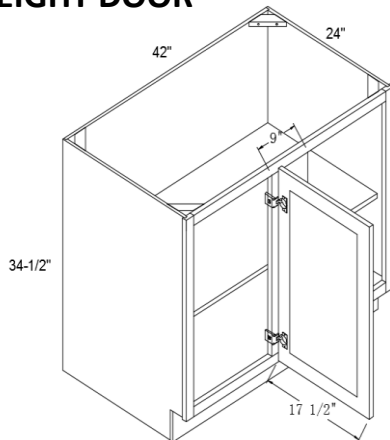
BASE BLIND CORNER CABINET WITH FULL HEIGHT DOOR



Item #
BBC42

BBC42 Min. Pull out 3", Max Pull out 9"

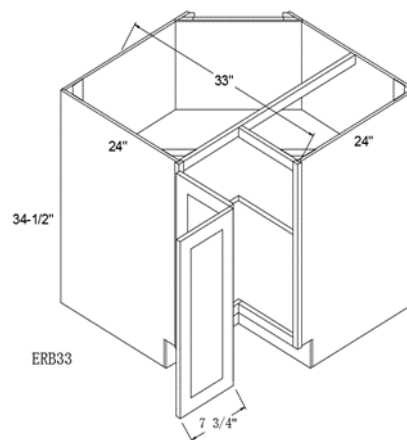
BASE BLIND CORNER CABINET WITH FULL HEIGHT DOOR



Item #
BBC45

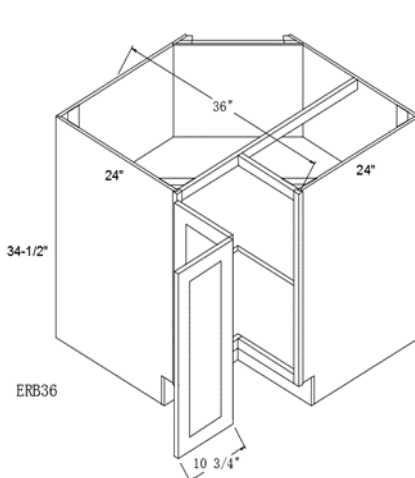
BBC45 Min. Pull out 3", Max Pull out 6"

EASY REACH BASE CABINET



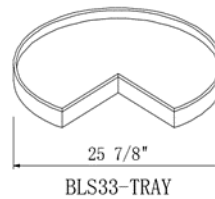
Item #
ERB33

EASY REACH BASE CABINET

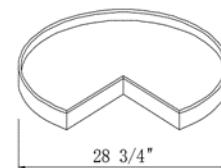


Item #
ERB36

BASE LAZY SUSAN CABINET TRAYS ONLY



BLS33-TRAY

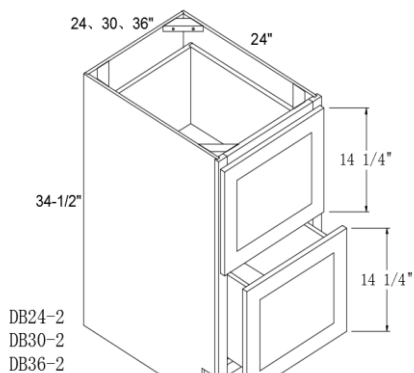


BLS36-TRAY

Item #
BLS33-TRAY
BLS36-TRAY

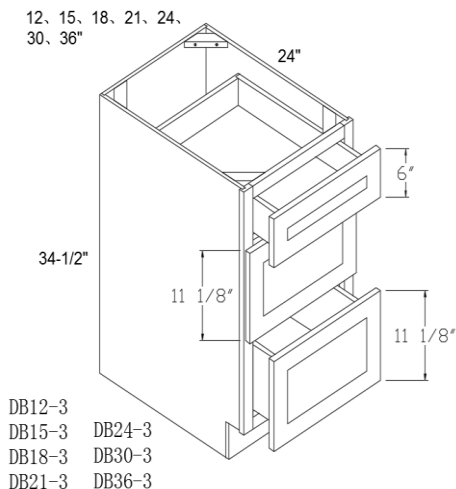
WOODCONCEPT CABINETRY

DRAWER BASE CABINET WITH TWO DRAWERS



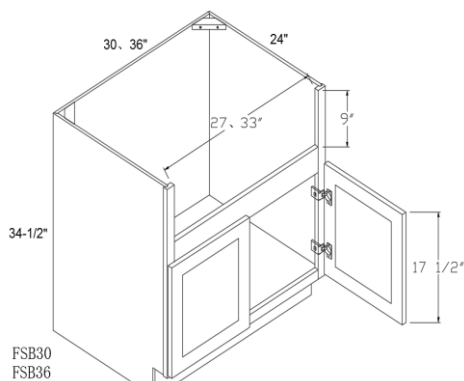
Item #
DB24-2
DB30-2
DB36-2

DRAWER BASE CABINET WITH THREE DRAWERS



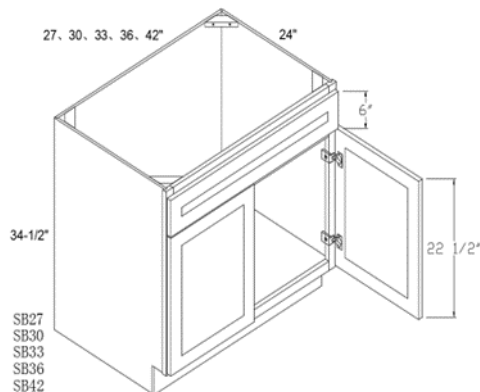
Item #
DB12-3
DB15-3
DB18-3
DB21-3
DB24-3
DB30-3
DB36-3

FARM SINK BASE



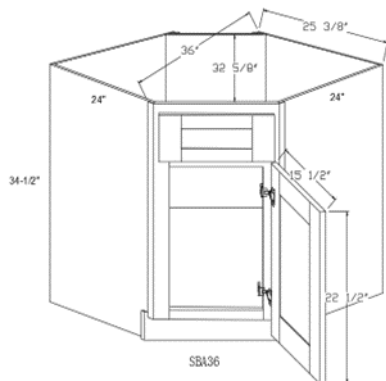
Item #
FSB30
FSB36

SBC WITH FALSE DRAWER FRONT



Item #
SB27
SB30
SB33
SB36
SB42

SINK BASE ANGLE CABINET



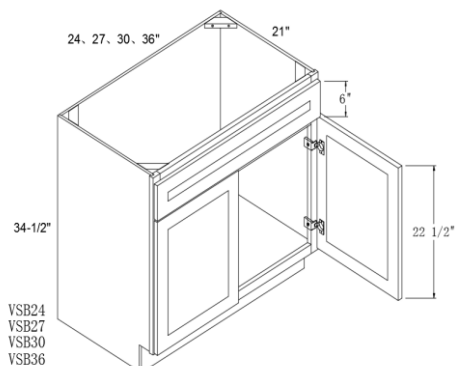
Item #
SBA36

VANITY BASE CABINETS



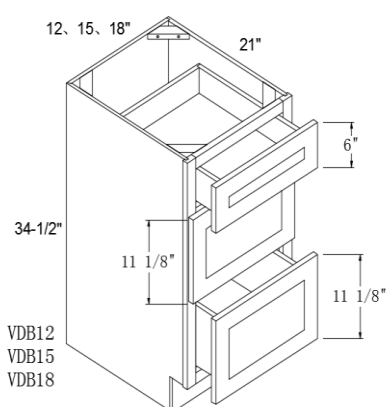
WOODCONCEPT
— CABINETS —

VANITY BASE CABINET



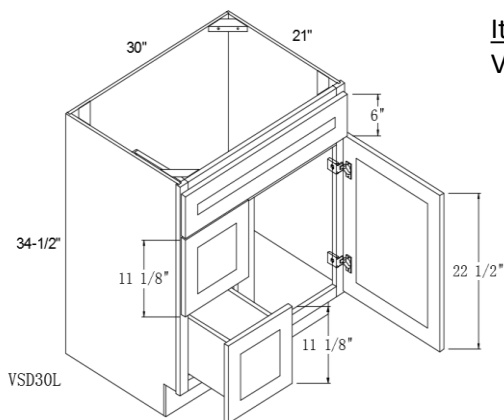
Item #
VSB24
VSB27
VSB30
VSB36

VANITY DRAWER BASE CABINET



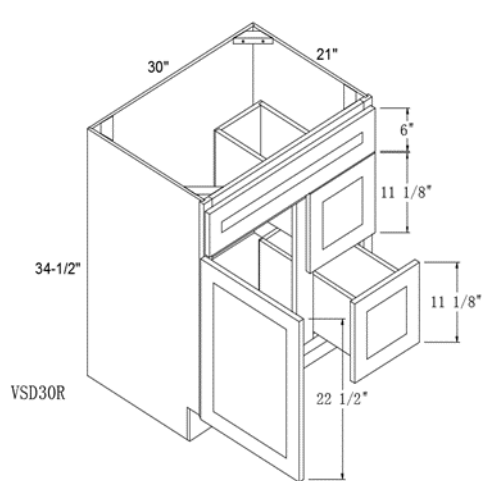
Item #
VDB12
VDB15
VDB18

VANITY SINK DRAWER BASE CABINET



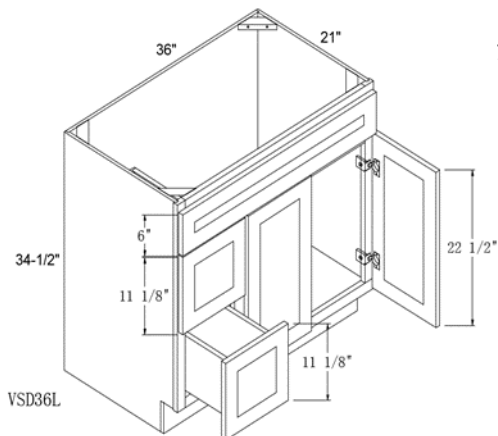
Item #
VSD30L

VANITY SINK DRAWER BASE CABINET



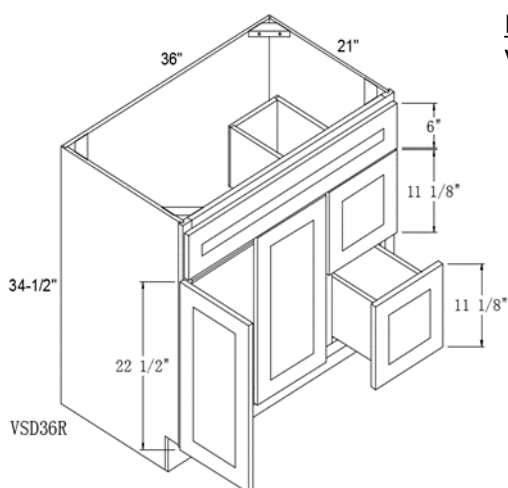
Item #
VSD30R

VANITY SINK DRAWER BASE CABINET



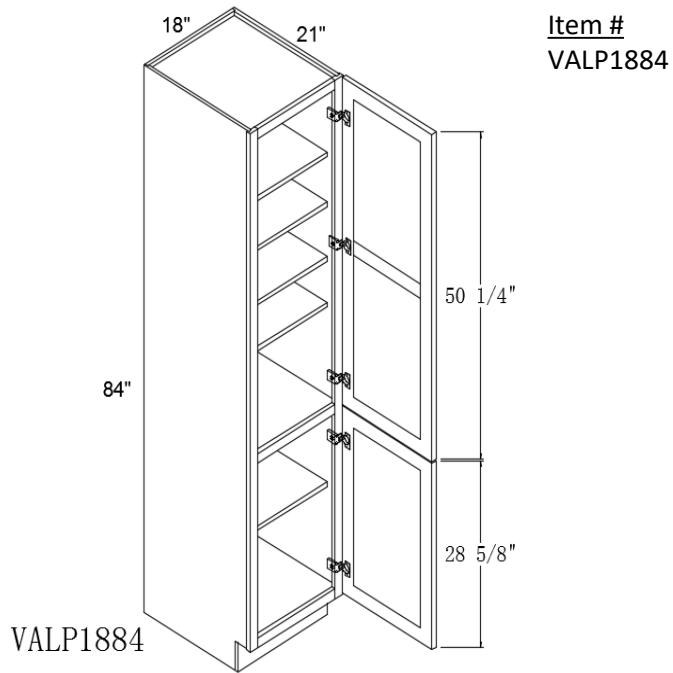
Item #
VSD36L

VANITY SINK DRAWER BASE CABINET

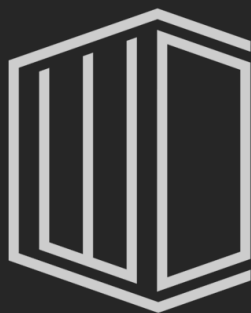


Item #
VSD36R

VANITY LINENE PANTRY CABINET



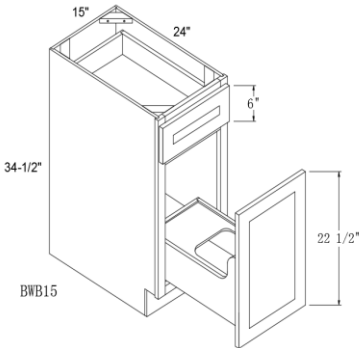
SPECIALTY BASE CABINETS



WOODCONCEPT
CABINETS

WOODCONCEPT CABINETRY

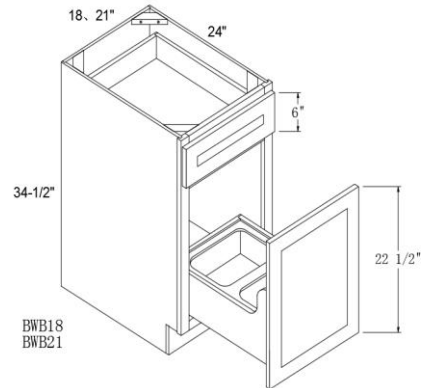
BASE WASTE BASKET CABINET (TRASH CANS SELL SEPARATELY)



Item #
BWB15

Waste bins not included, need to be purchased separately

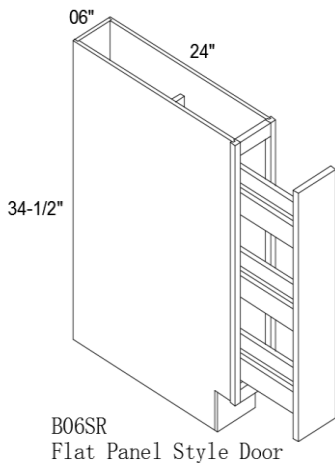
BASE WASTE BASKET CABINET (TRASH CANS SELL SEPERATELY)



Item #
BWB18
BWB21

Waste bins not included, need to be purchased separately

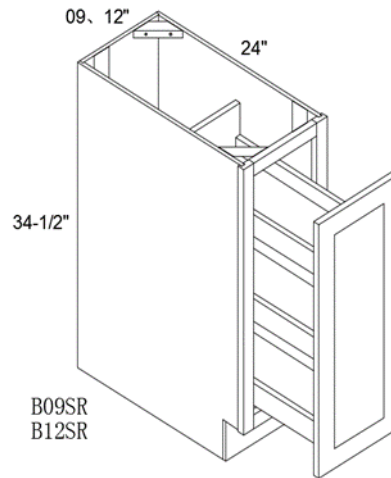
BASE SPICE RACK



Item #
B06SR

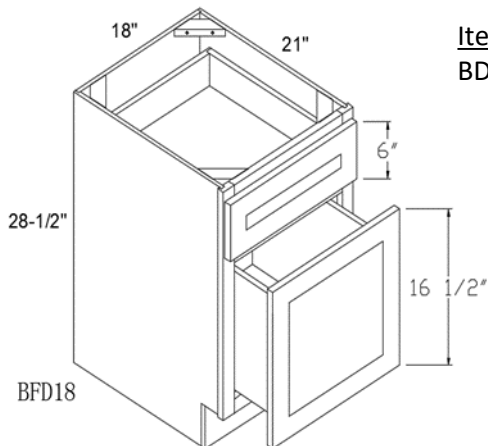
B06SR
Flat Panel Style Door

BASE SPICE RACK



Item #
B09SR
B12SR

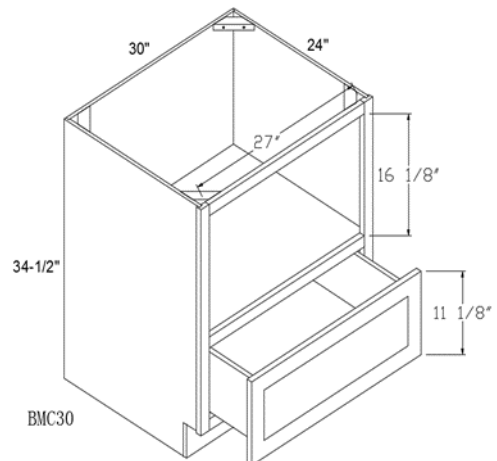
BASE FILE DRAWER CABINET



Item #
BFD18

BFD18

BASE MICROWAVE CABINET

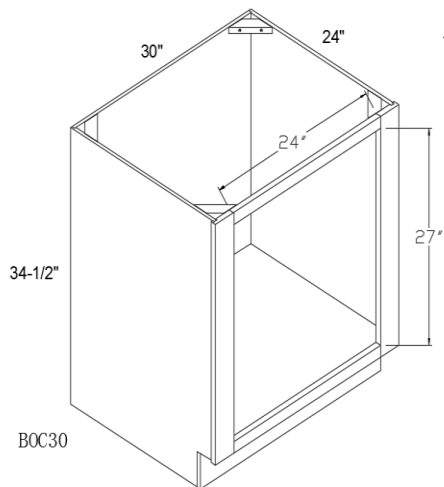


Item #
BMC30

BMC30

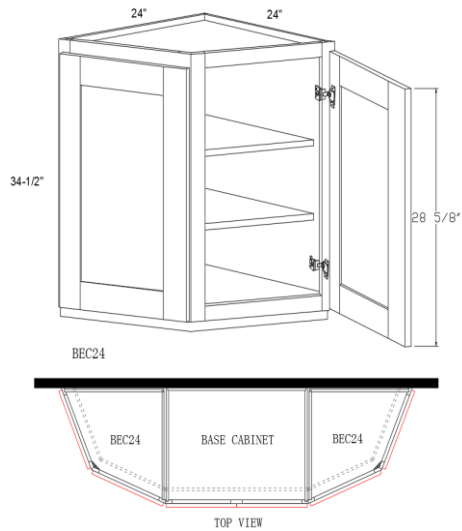
WOODCONCEPT CABINETRY

BASE OVEN CABINET



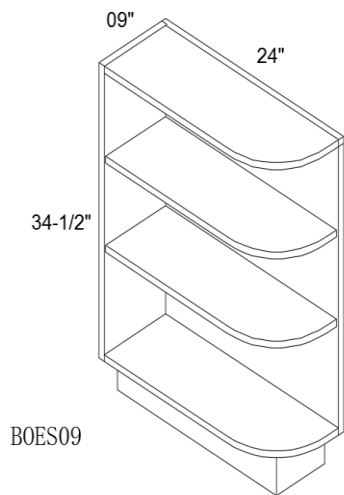
Item #
BOC30

BASE END CABINET



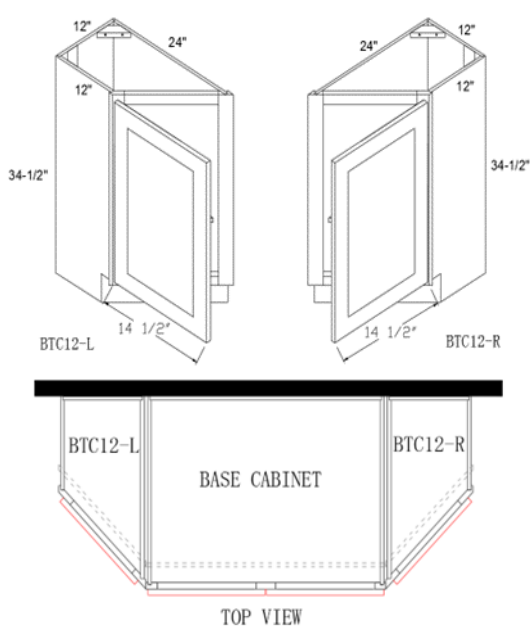
Item #
BEC24

BASE OPEN END SHELF CABINET



Item #
BOES09

BASE TRANSITIONAL CABINET



Item #
BTC12L
BTC12R

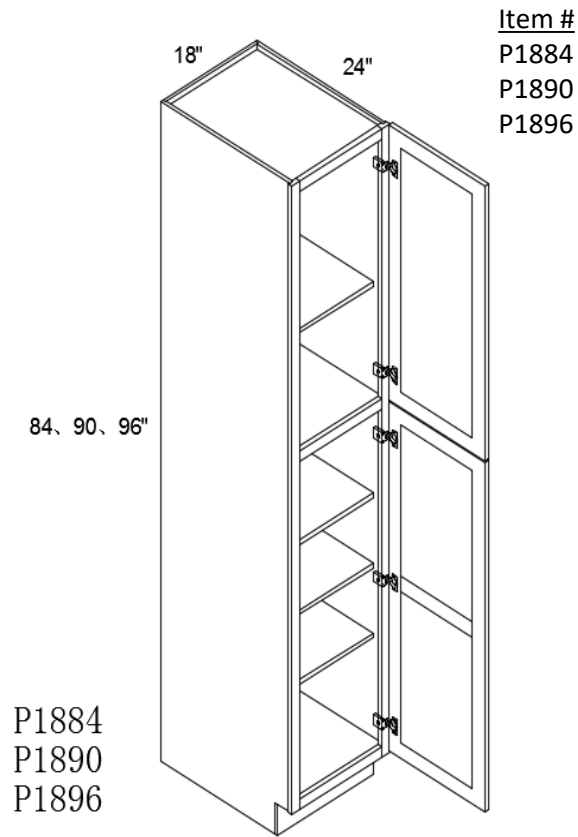
TALL CABINETS



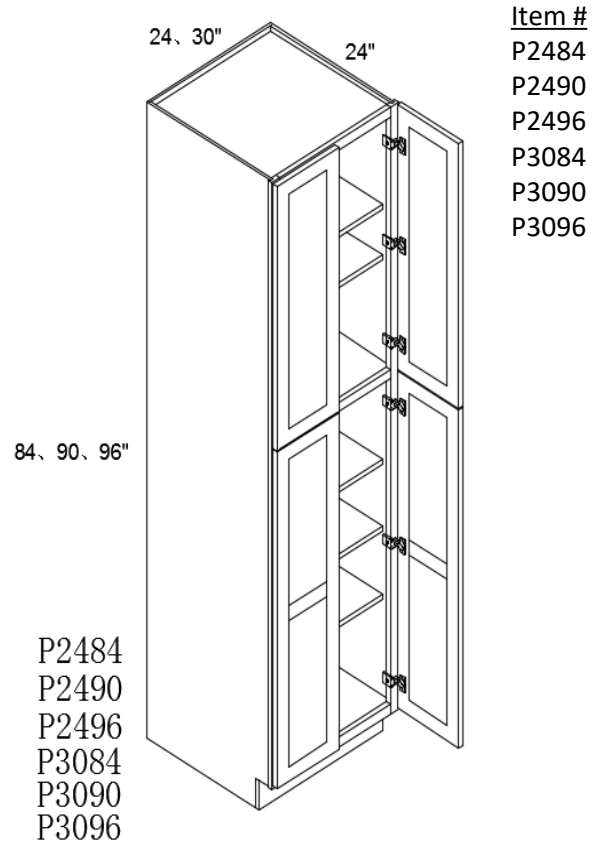
WOODCONCEPT

— CABINETSRY —

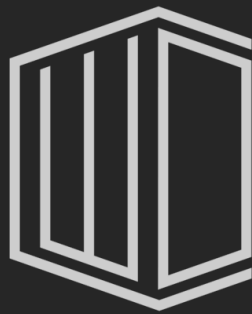
PANTRY CABINET



PANTRY CABINET



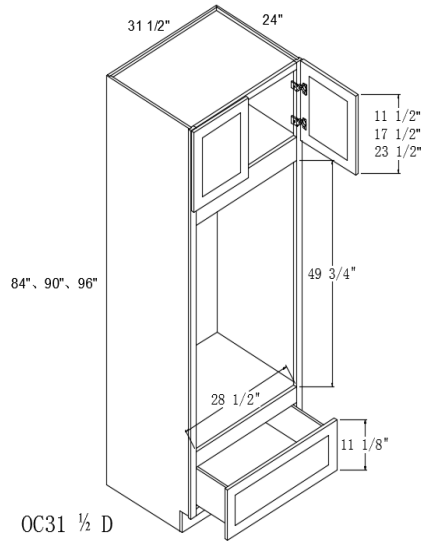
OVEN CABINETS



WOODCONCEPT

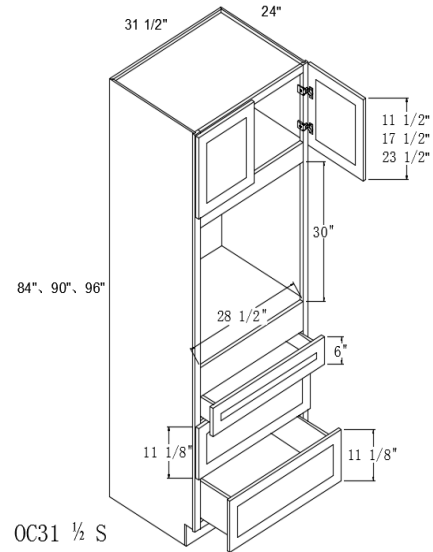
— CABINETSRY —

OVEN CABINET



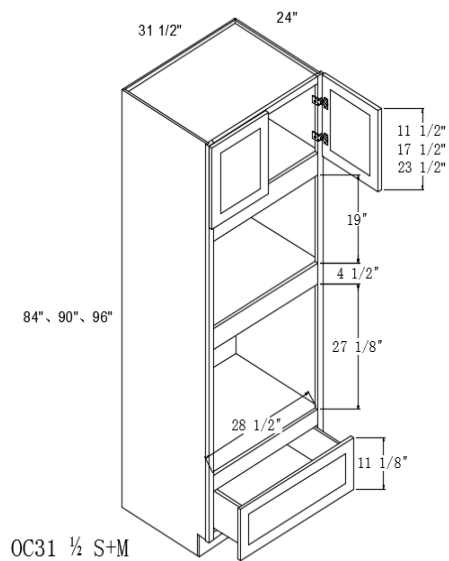
Item #
 OC31 1/2 84D
 OC31 1/2 90D
 OC31 1/2 96D

OVEN CABINET



Item #
 OC31 1/2 84S
 OC31 1/2 90S
 OC31 1/2 96S

OVEN CABINET



Item #
 OC31 1/2 84S+M
 OC31 1/2 90S+M
 OC31 1/2 96S+M

WALL CABINETS

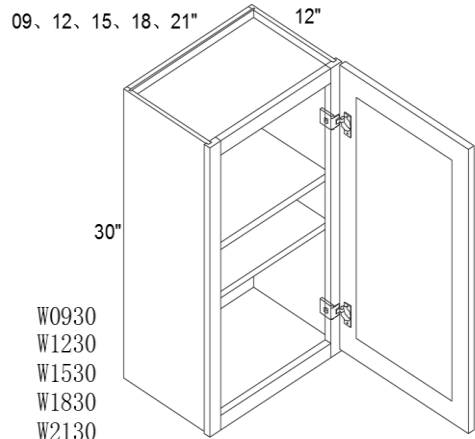


WOODCONCEPT

— CABINETSRY —

WOODCONCEPT CABINETS

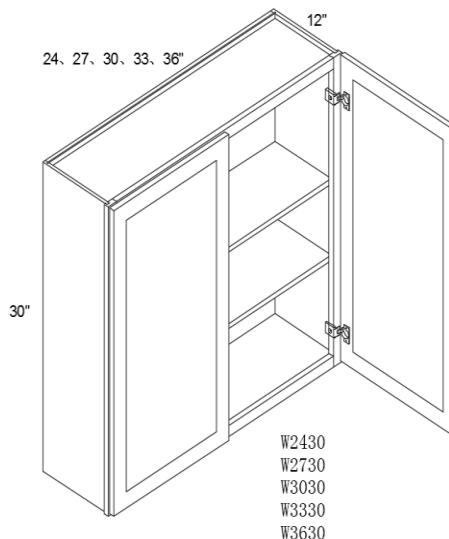
30" HEIGHT WALL CABINET



W0930
W1230
W1530
W1830
W2130

Item #
W0930
W1230
W1530
W1830
W2130

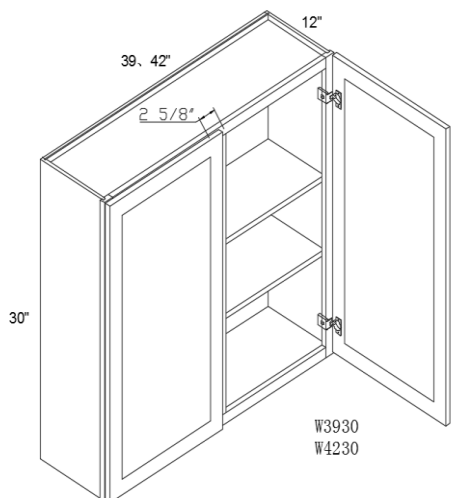
30" HEIGHT WALL CABINET



W2430
W2730
W3030
W3330
W3630

Item #
W2430
W2730
W3030
W3330
W3630

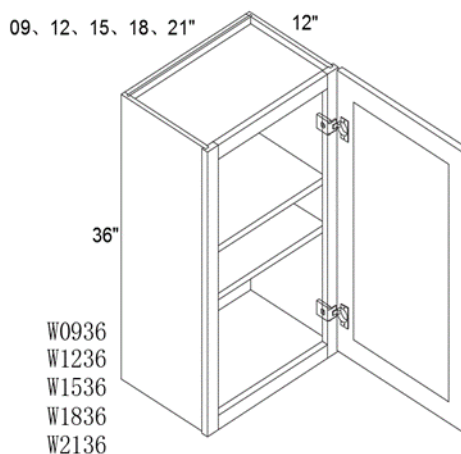
30" HEIGHT WALL CABINET



W3930
W4230

Item #
W3930
W4230

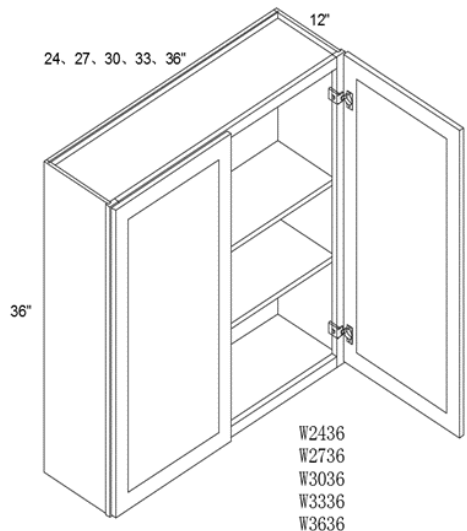
36" HEIGHT WALL CABINET



W0936
W1236
W1536
W1836
W2136

Item #
W0936
W1236
W1536
W1836
W2136

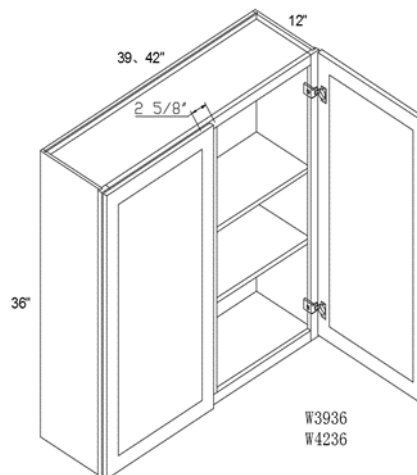
36" HEIGHT WALL CABINET



W2436
W2736
W3036
W3336
W3636

Item #
W2436
W2736
W3036
W3336
W3636

36" HEIGHT WALL CABINET

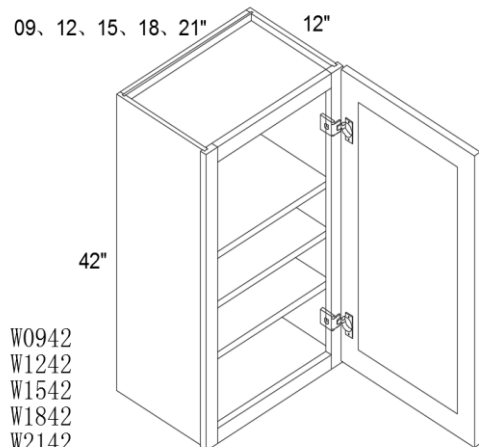


W3936
W4236

Item #
W3936
W4236

42" HEIGHT WALL CABINET

09, 12, 15, 18, 21"

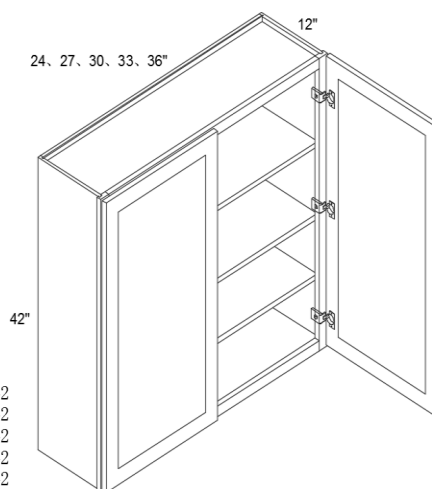


W0942
W1242
W1542
W1842
W2142

Item #
W0942
W1242
W1542
W1842
W2142

42" HEIGHT WALL CABINET

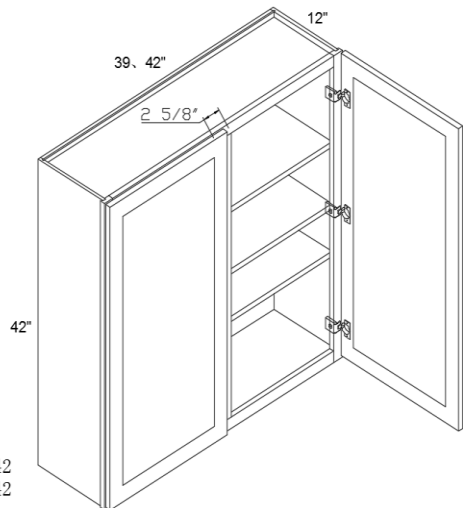
24, 27, 30, 33, 36"



W2442
W2742
W3042
W3342
W3642

Item #
W2442
W2742
W3042
W3342
W3642

42" HEIGHT WALL CABINET

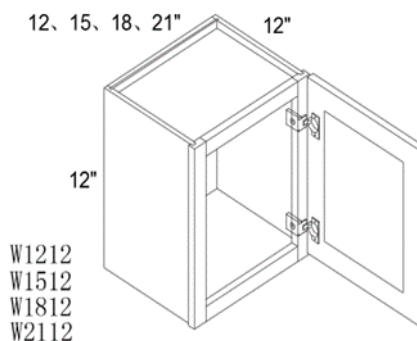


W3942
W4242

Item #
W3942
W4242

12" HEIGHT WALL CABINET

12, 15, 18, 21"

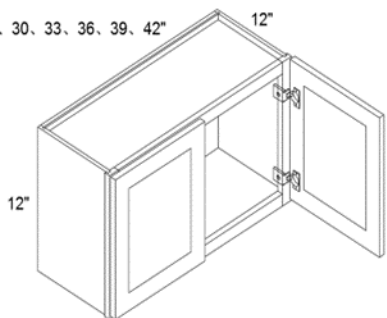


W1212
W1512
W1812
W2112

Item #
W1212
W1512
W1812
W2112

12" HEIGHT WALL CABINET

24, 27, 30, 33, 36, 39, 42"

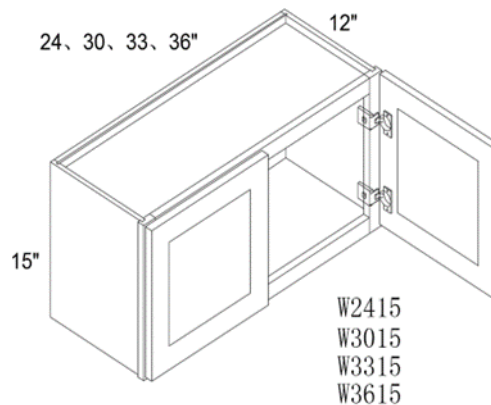


W2412
W2712
W3012
W3312
W3612
W3912
W4212

Item #
W2412
W2712
W3012
W3312
W3612
W3912
W4212

15" HEIGHT WALL CABINET

24, 30, 33, 36"

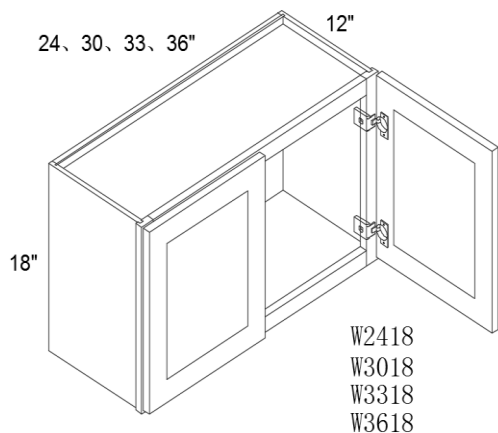


W2415
W3015
W3315
W3615

Item #
W2415
W3015
W3315
W3615

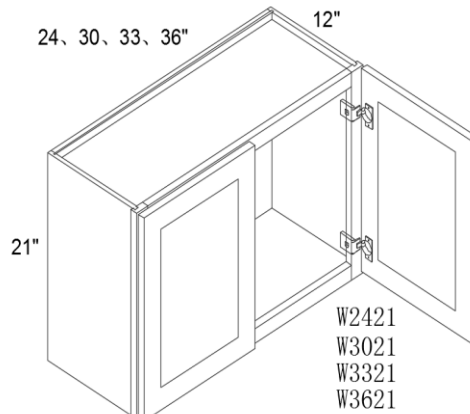
WOODCONCEPT CABINETRY

18" HEIGHT WALL CABINET



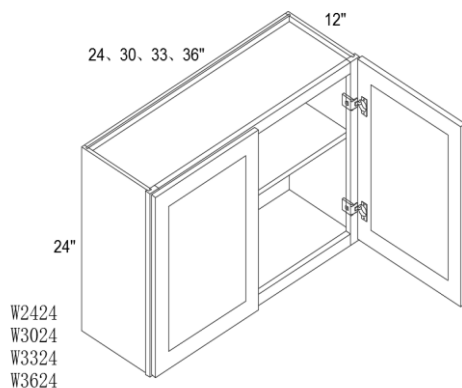
Item #
W2418
W3018
W3318
W3618

21" HEIGHT (SPECIAL)



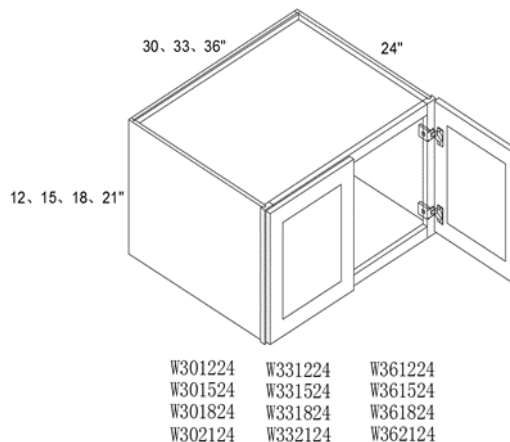
Item #
W2421
W3021
W3321
W3621

24" HEIGHT (SPECIAL)



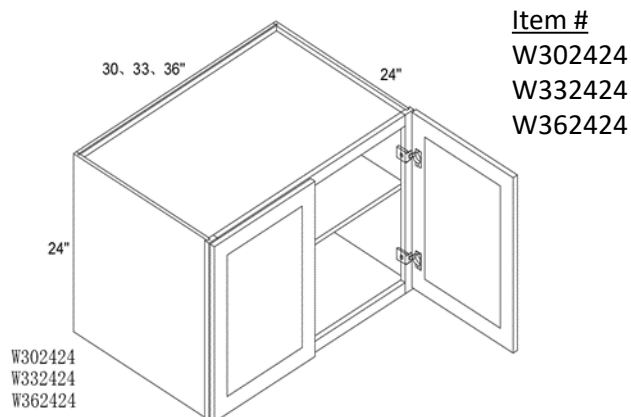
Item #
W2424
W3024
W3324
W3624

24" DEPTH REFRIDGERATOR WALL CABINET



Item #
W301224
W301524
W301824
W302124
W331224
W331524
W331824
W332124
W361224
W361524
W361824
W362124

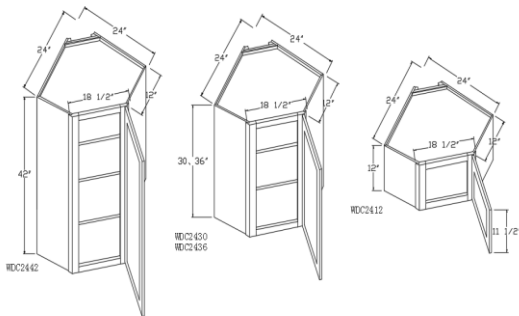
24" DEPT REFRIDGERATOR WALL CABINET



Item #
W302424
W332424
W362424

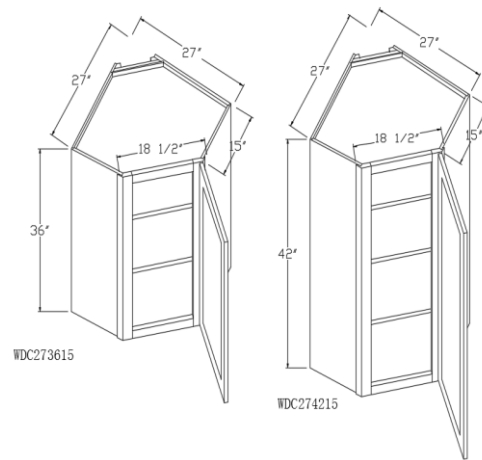
WOODCONCEPT CABINETRY

WALL DIAGONAL CORNER WALL CABINET



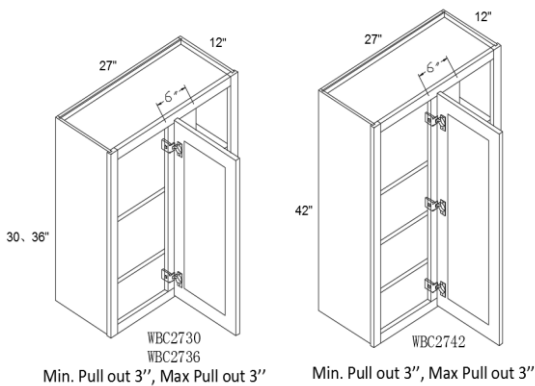
Item #
 WDC2430
 WDC2436
 WDC2442
 WDC2412

WALL DIAGONAL CORNER WALL CABINET



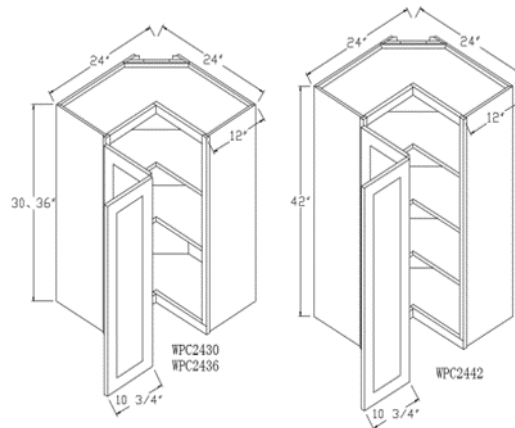
Item #
 WDC273615
 WDC274215

WALL BLIND CORNER CABINET



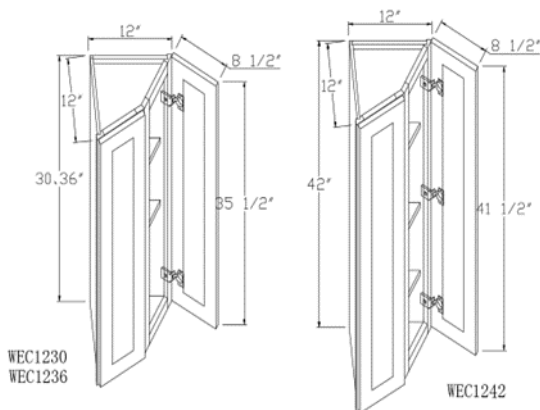
Item #
 WDC2730
 WDC2736
 WDC2742

WALL PIE CUT WALL CABINET



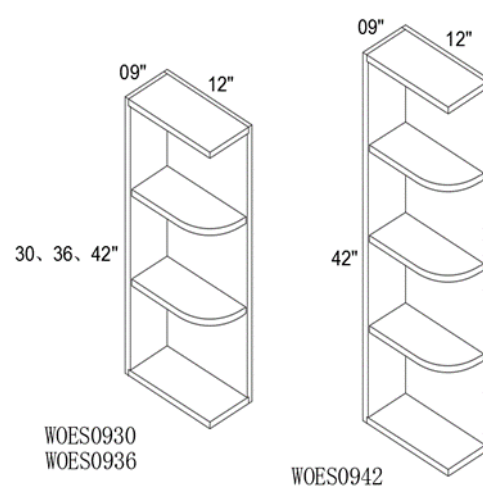
Item #
 WPC2430
 WPC2436
 WPC2442

WALL END CABINET



Item #
 WEC1230
 WEC1236
 WEC1242

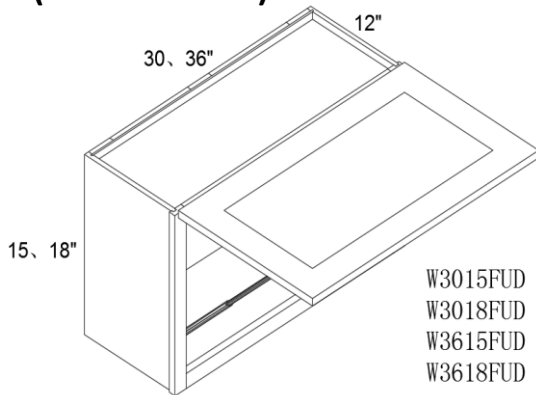
WALL OPEN END SHELF CABINET



Item #
 WOES0930
 WOES0936
 WOES0942

WOODCONCEPT CABINETRY

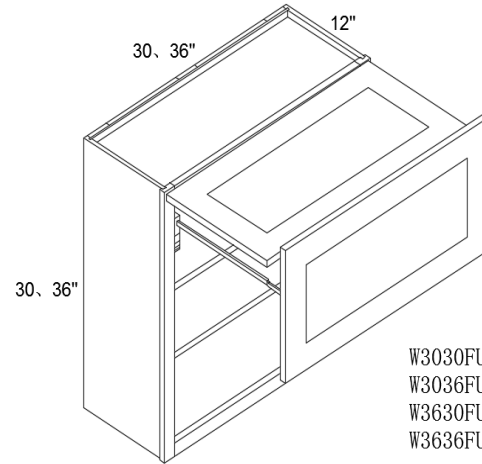
FLIP UP DOOR WALL CABINET (SINGLE DOOR)



Item #
 W3015FUD
 W3018FUD
 W3615FUD
 W3618FUD

W3015FUD
 W3018FUD
 W3615FUD
 W3618FUD

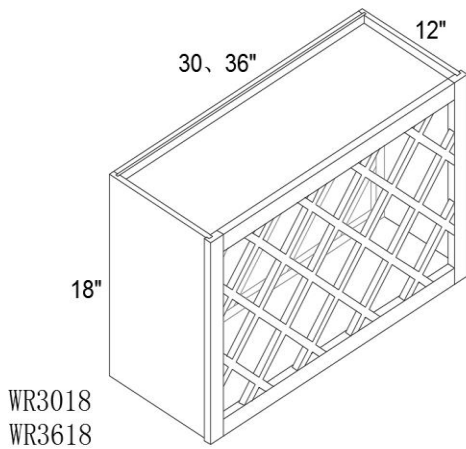
FLIP UP DOOR WALL CABINET (DOUBLE DOORS)



Item #
 W3030FUD
 W3036FUD
 W3630FUD
 W3636FUD

W3030FUD
 W3036FUD
 W3630FUD
 W3636FUD

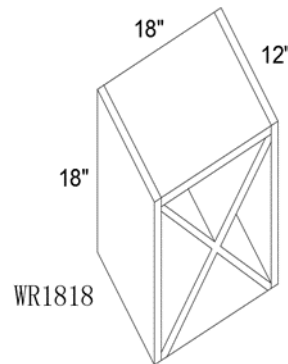
WINE RACK CABINET



Item #
 WR3018
 WR3618

WR3018
 WR3618

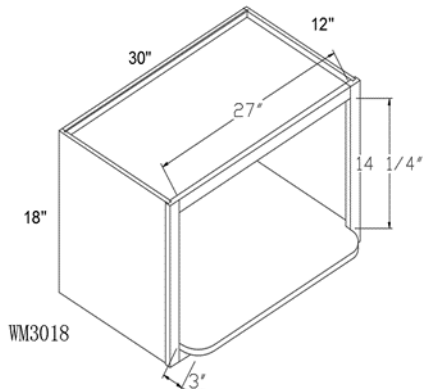
WINE RACK CABINET



Item #
 WR1818

WR1818

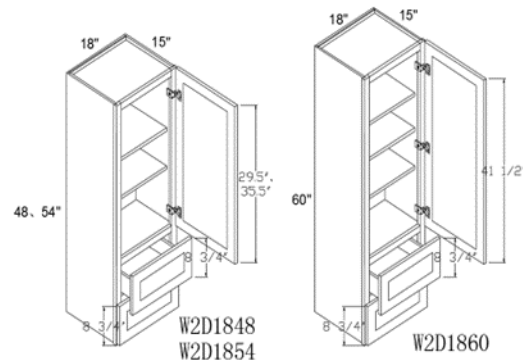
WALL MICROWAVE CABINET



Item #
 WM3018

WM3018

WALL TWO DRAWERS CABINET



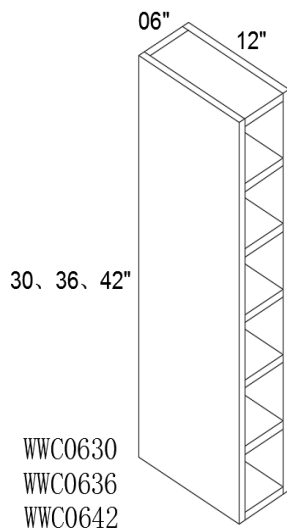
Item #
 W2D1848
 W2D1854
 W2D1860

W2D1848
 W2D1854

W2D1860

WOODCONCEPT CABINETRY

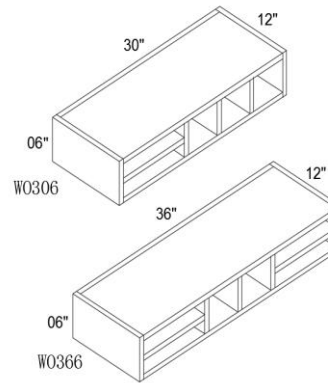
WALL WINE CUBE CABINET



Item #
WWC0630
WWC0636
WWC0642

WWC0630
WWC0636
WWC0642

WALL ORGANIZER

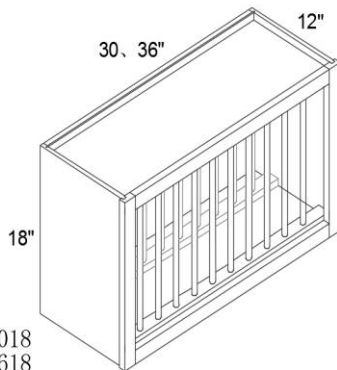


Item #
W0306
W0366

W0306

W0366

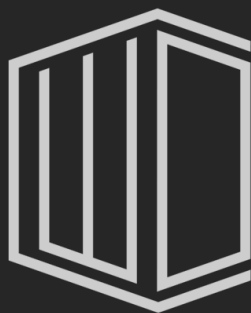
PLATE RACK CABINET



Item #
PRC3018
PRC3618

PRC3018
PRC3618

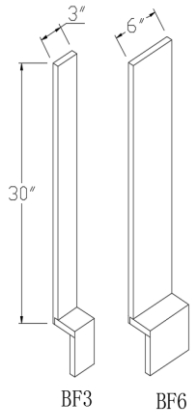
ACCESSORIES



WOODCONCEPT

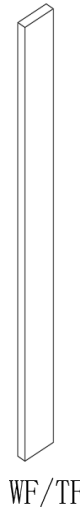
— CABINETS —

FILLERS



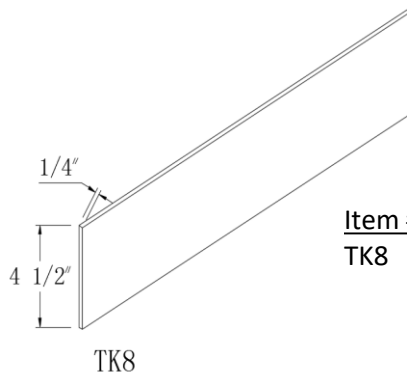
Item #
BF3
BF6

FILLERS



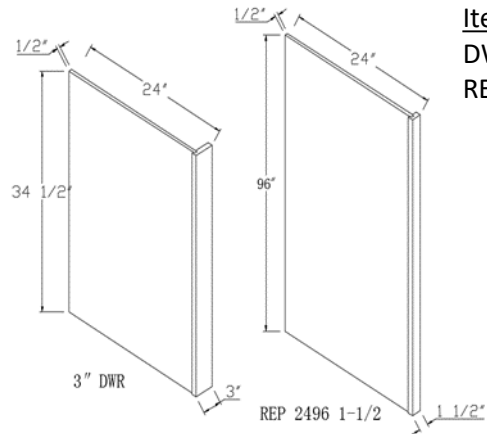
Item #
WF330
WF336
WF342
TF396
WF630
WF636
WF642
TF696

FILLERS



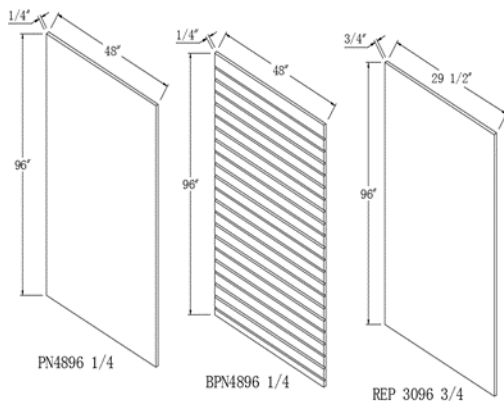
Item #
TK8

PANELS



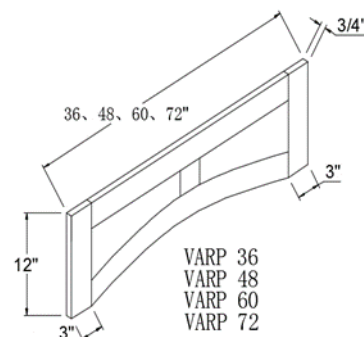
Item #
DWP3
REP2496 1 1/2

PANELS



Item #
REP3096 3/4
PN4896 1/4
BPN4896 1/4

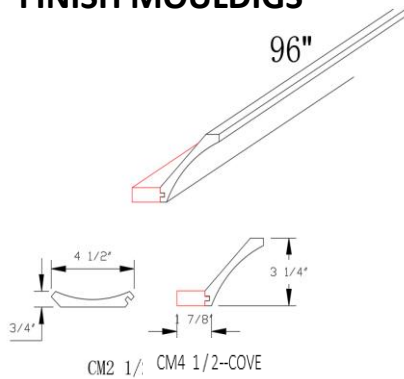
VALANCE



Item #
VARP36
VARP48
VARP60
VARP72

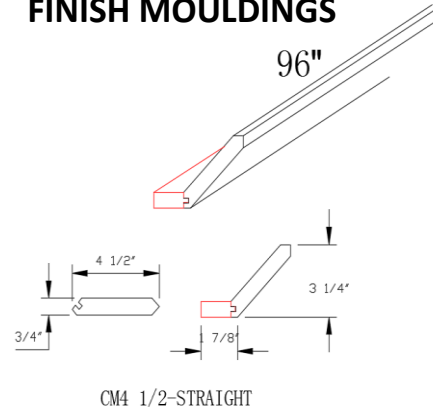
VARP 36
VARP 48
VARP 60
VARP 72

CROWN MOULDINGS AND OTHER FINISH MOULDINGS



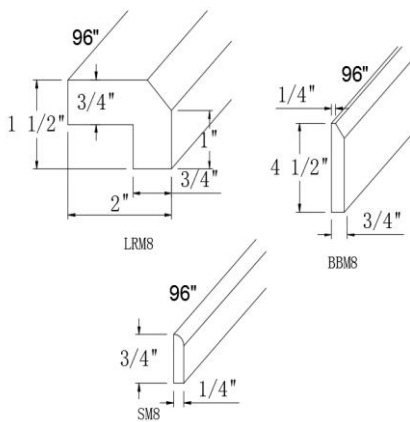
Item #
CM4 1/2-COVE

CORWN MOULDINGS AND OTHER FINISH MOULDINGS



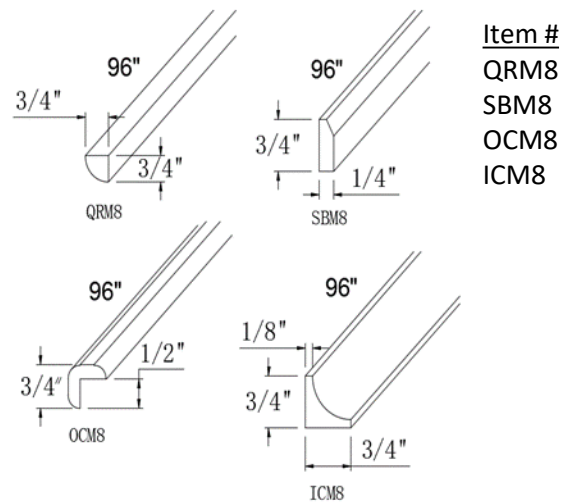
Item #
CM4 1/2-STRAIGHT

CROWN MOULDINGS AND OTHER FINISH MOULDINGS



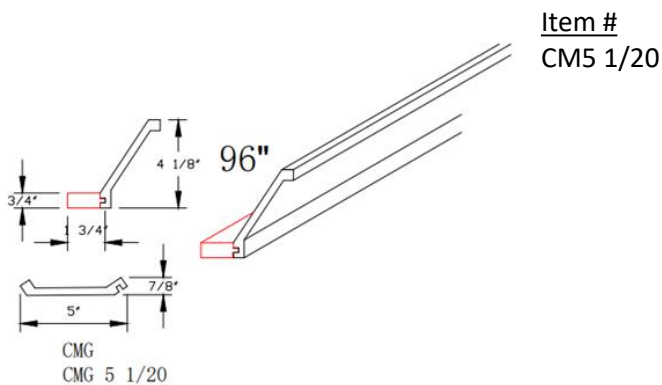
Item #
LRM8
BBM8
SMB

CROWN MOULDINGS AND OTHER FINISH MOULDINGS



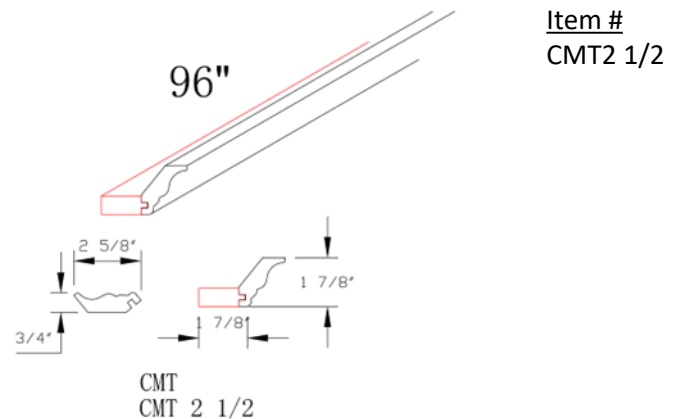
Item #
QRM8
SBM8
OCM8
ICM8

CROWN MOULDINGS AND OTHER FINISH MOULDINGS



Item #
CM5 1/20

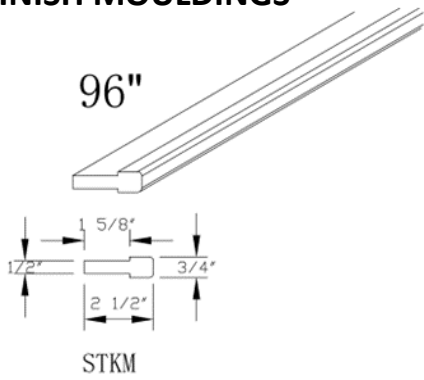
CROWN MOULDINGS AND OTHER FINISH MOULDINGS



Item #
CMT2 1/2

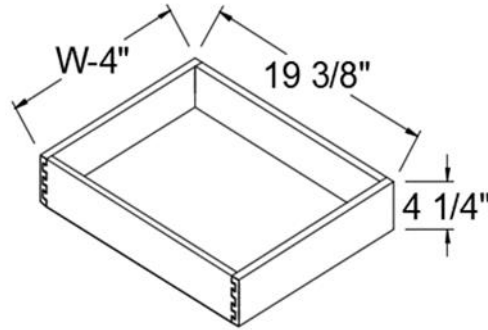
WOODCONCEPT CABINETRY

CROWN MOULDINGS AND OTHER FINISH MOULDINGS



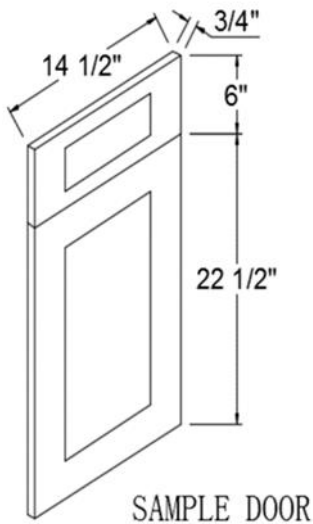
Item #
STKM

ROLL OUT Tray



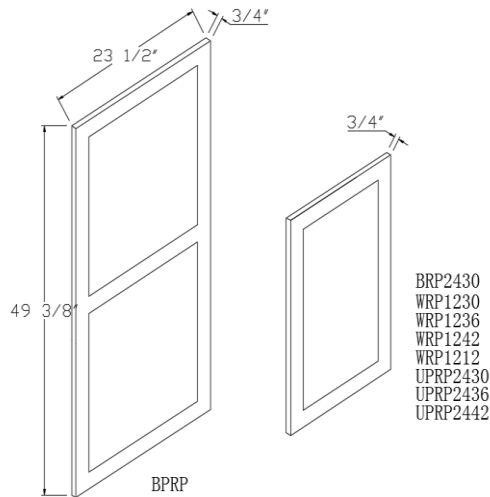
Item #
ROT12
ROT15
ROT18
ROT21
ROT24
ROT27
ROT30
ROT33
ROT36

SAMPLE DOOR



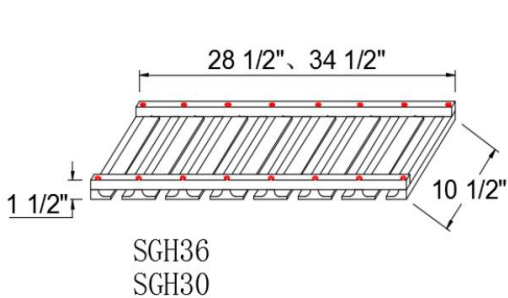
Item #
Sample Door

DUMMY DOORS



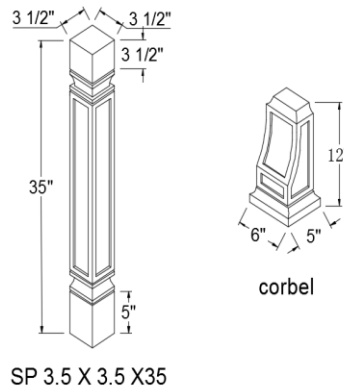
Item #
BRP2430
WRP1230
WRP1236
WRP1242
WRP1212
BPRP
UPRP2430
UPRP2436
UPRP2442

STEM GLASS HOLDER



Item #
SGH30
SGH36

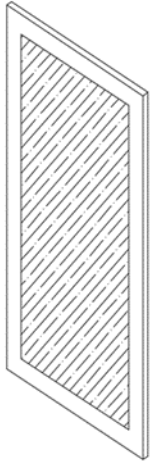
DECORATIVE ACCENTS



Item #
CORBEL
SP 3.5 X 3.5
X35

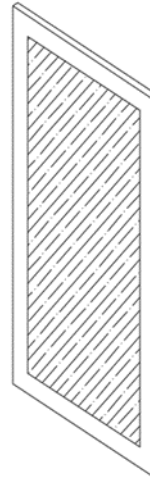
WOODCONCEPT CABINETRY

GLASS DOORS



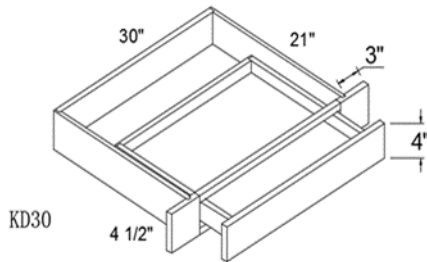
<u>Item #</u>	<u>Item #</u>
W1230GD	W2436GD
W1236GD	W2442GD
W1242GD	W2730GD
W1530GD	W2736GD
W1536GD	W2742GD
W1542GD	W3030GD
W1830GD	W3036GD
W1836GD	W3042GD
W1842GD	W3330GD
W2130GD	W3336GD
W2136GD	W3342GD
W2142GD	W3630GD
W2430GD	W3636GD

GLASS DOORS



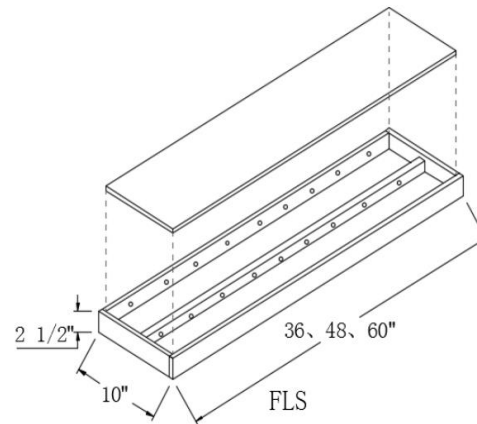
<u>Item #</u>	<u>Item #</u>
W3642GD	W3912GD
WDC2430GD	W4212GD
WDC2436GD	WDC24112GD
WDC2442GD	WDC273615GD
W1212GD	WDC274215GD
W1512GD	
W1812GD	
W2112GD	
W2412GD	
W2712GD	
W3012GD	
W3312GD	
W3612GD	

KNEE DRAWERS



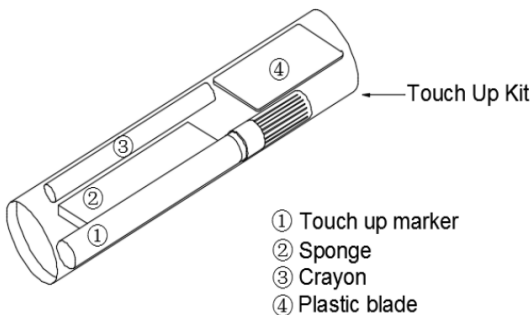
Item #
KD30

FLOATING SHELVES



Item #
FLS36
FLS48
FLS60

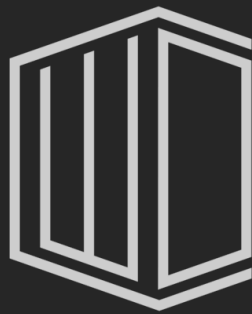
DECORATIVE ACCENTS



Item #
Touch Up Kit

- ① Touch up marker
- ② Sponge
- ③ Crayon
- ④ Plastic blade

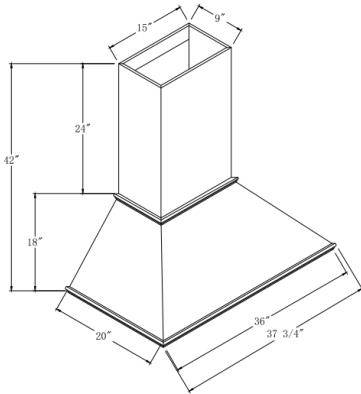
HOOD COVERS



WOODCONCEPT

— CABINETS —

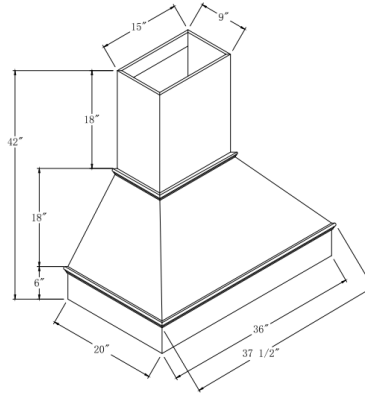
HOOD COVER



HoodM 3642

Item #:
HoodM3642
(True Width 37 3/4")

HOOD COVER



HoodT 3642

Item #:
HoodT3642
(True Width 37 1/2")

Cabinet Care & Maintenance

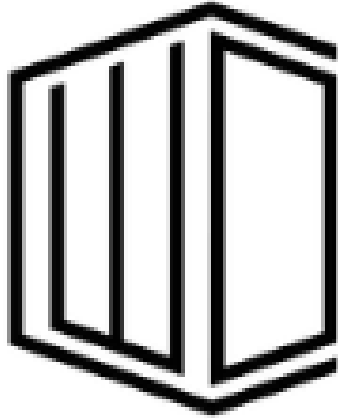
Every WoodConcept cabinet has gone through careful raw material sourcing, and meticulous multi-step finishing process, resulting in a truly superior final product, that is both beautiful and durable. They would only require little maintenance under normal condition, but to allow you to effectively clean and maintain our cabinets, there are some steps we suggest taking.

Things to Do:

- **Regular Dusting:** Dust the cabinets regularly using a soft, lint-free cloth or a microfiber duster.
- **Gentle Cleaning Solution:** Avoid using abrasive cleaners, detergents, and other strong cleaning products.
- **Spot Cleaning:** For stubborn stains or spills, address them promptly to prevent damage.
- **Hardware Care:** Clean them regularly using a soft cloth and mild soap solution. Avoid abrasive cleaners or rough scrubbing.
- For minor scratches and scuffs, we recommend using our branded touch-up kit.

Things to Avoid:

- Harsh Cleaners, Excessive Moisture, Scrubbing with Rough Materials, Wax or Silicone-based Polishes, Steam Cleaning



WOODCONCEPT®
— CABINETS —

A concept of wood, an experience of cabinets.